

LiftMaster®

3-BUTTON REMOTE CONTROLS MODELS 890MAX, 893MAX, AND 895MAX

Can be used as a replacement remote control for 80 Series, 970 Series, and 370 Series LiftMaster remote controls.

Compatible with 315 MHz or 390 MHz garage door openers manufactured after January 1, 1993. Make sure the garage door opener has a working light bulb because it is a programming indicator.

For use with gate operators, commercial door operators, or other products that are 315 MHz or 390 MHz and have a Learn button. Refer to your product manual for the location of the Learn button.

MODEL 895MAX



MODEL 893MAX



MODEL 890MAX



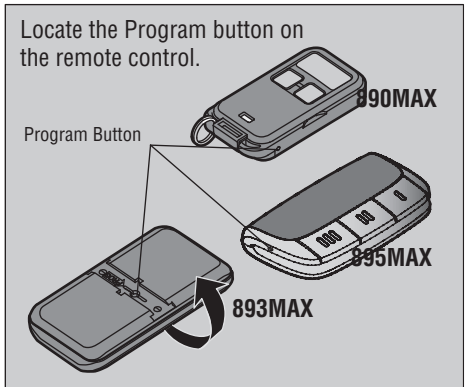
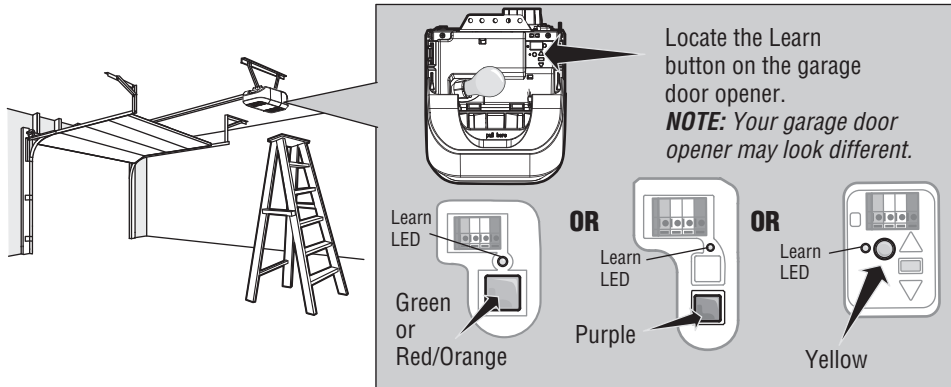
⚠ WARNING

To prevent possible **SERIOUS INJURY** or **DEATH** from a moving gate or garage door:

- ALWAYS keep remote controls out of reach of children. NEVER permit children to operate or play with remote controls.
- Activate gate or door ONLY when it can be seen clearly, is properly adjusted and there are no obstructions to door travel.
- ALWAYS keep gate or garage door in sight until completely closed. NEVER permit anyone to cross path of moving gate or door.

⚠ WARNING: This product can expose you to chemicals including lead, which are known to the State of California to cause cancer or birth defects or other reproductive harm. For more information go to www.P65Warnings.ca.gov

PREPARE



PROGRAMMING THE REMOTE CONTROL

1 Press and hold the program button the remote control until the LED on the front of the remote control turns on.

893MAX **890MAX**

Visor Clip

Safety Pin or Paper Clip

895MAX

2 Press and release the remote control button you wish to use the number of times that corresponds with the garage door opener type:

# of Presses	Garage Door Opener Type
1	Security+ 2.0™ (Yellow Learn Button)
2	315 MHz Security+® (Purple Learn Button)
3	390 MHz Security+® (Red/Orange Learn Button)
4	390 MHz Billion Code (Green Learn Button)

3 To exit programming mode, press any remote control button **except** the button that was just programmed.

4 Press and release the Learn button on the garage door opener.

Learn Button

The Learn LED will light.
Within 30 seconds...

5 Press the remote control button programmed in step 2 until the garage door opener lights flash or two clicks are heard.

Click
Click

6 To test, press the programmed button on the remote control...

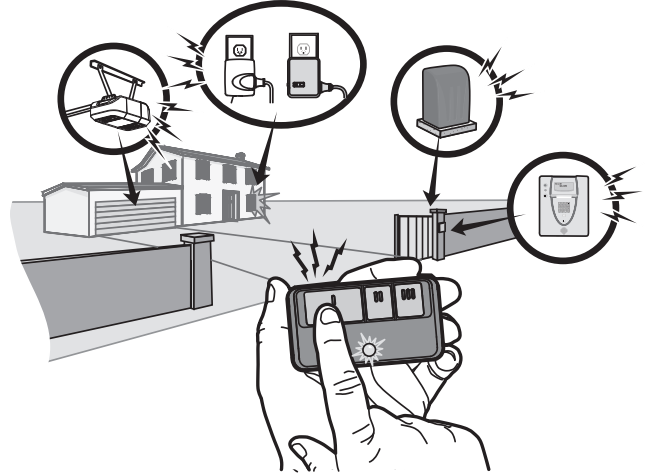
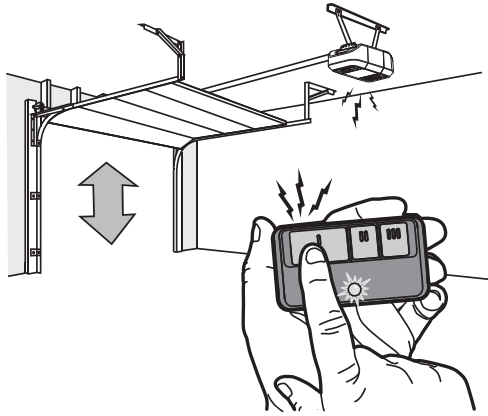
The garage door opener will activate.

7 Install the visor clip (not applicable for Model 890MAX).

HOW TO USE THE REMOTE CONTROL

Press and hold the button down until the door or gate starts to move. The remote control will operate from up to 3 car lengths away on typical installations. Installations and conditions vary, contact an installing dealer for more information.

Additional buttons on the remote control can be programmed to operate up to 3 devices such as additional garage door openers, light controls, gate operators or access control systems.

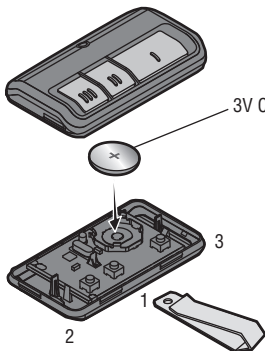


BATTERY

The LED(s) on your remote control will stop flashing when the battery is low and needs to be replaced. To replace battery, open the case as shown. Insert battery positive side up (+). Replace the battery with only 3V CR2032 or 3V CR2016 coin cell batteries (depending on the model). Dispose of old battery properly.

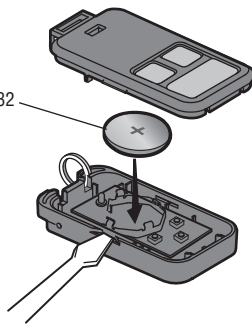
893MAX

Pry open the case first in the middle (1), then at each side (2 and 3) with the visor clip.



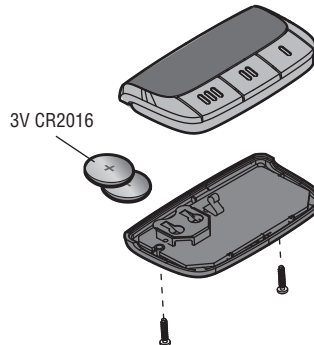
890MAX

Pry open the case with a screwdriver blade.



895MAX

Remove the two screws and open the case.



WARNING

To prevent possible **SERIOUS INJURY** or **DEATH**:

- NEVER allow small children near batteries.
- If battery is swallowed, immediately notify doctor.

To reduce risk of fire, explosion or chemical burn:

- Replace **ONLY** with 3V CR2032 or 3V CR2016 coin batteries.
- **DO NOT** recharge, disassemble, heat above 212° F (100° C) or incinerate.

NOTICE: To comply with FCC and or Industry Canada rules (IC), adjustment or modifications of this receiver and/or transmitter are prohibited, except for changing the code setting or replacing the battery. **THERE ARE NO OTHER USER SERVICEABLE PARTS.**

This device complies with Part 15 of the FCC rules and IC RSS-210. Operation is subject to the following two conditions: (1) this device may not cause harmful interference, and (2) this device must accept any interference received, including interference that may cause undesired operation.

WARRANTY

ONE YEAR LIMITED WARRANTY

LiftMaster warrants to the first consumer purchaser of this product that it is free from defect in materials and/or workmanship for a period of 1 year from the date of purchase.

REPLACEMENT PARTS

3V CR2032 Lithium Battery (Models 893MAX & 890MAX)	10A20
3V CR2016 Lithium Battery (Model 895MAX)	10A19
Visor Clip (Model 893MAX)	29B137
Visor Clip (Model 895MAX)	29C151

LiftMaster.com

1.800.528.9131